

\* - Critical Dimensions

Sheet 1/2

Drawn by: Udhay.N	Scale: 1:1	Date: 12/15/04	HARDWARE RESOURCES
<p>TOLERANCES</p> <p>UNLESS OTHERWISE SPECIFIED TOLERANCES ARE IN METRIC</p> <p>OVER ALL LENGTH     ±0.1MM ANGLES                    ±0° 30'</p>			4319 MARLENA ST, BOSSIER CITY, LA71111
			PART NAME: 3/4"x.245 WITH HOLE
			MATERIAL: FLAT SURFACE CRS/PIN HRS
			ITEM NO: 610/611-H
			PLATING: AB, PB, AC, BN, B

5

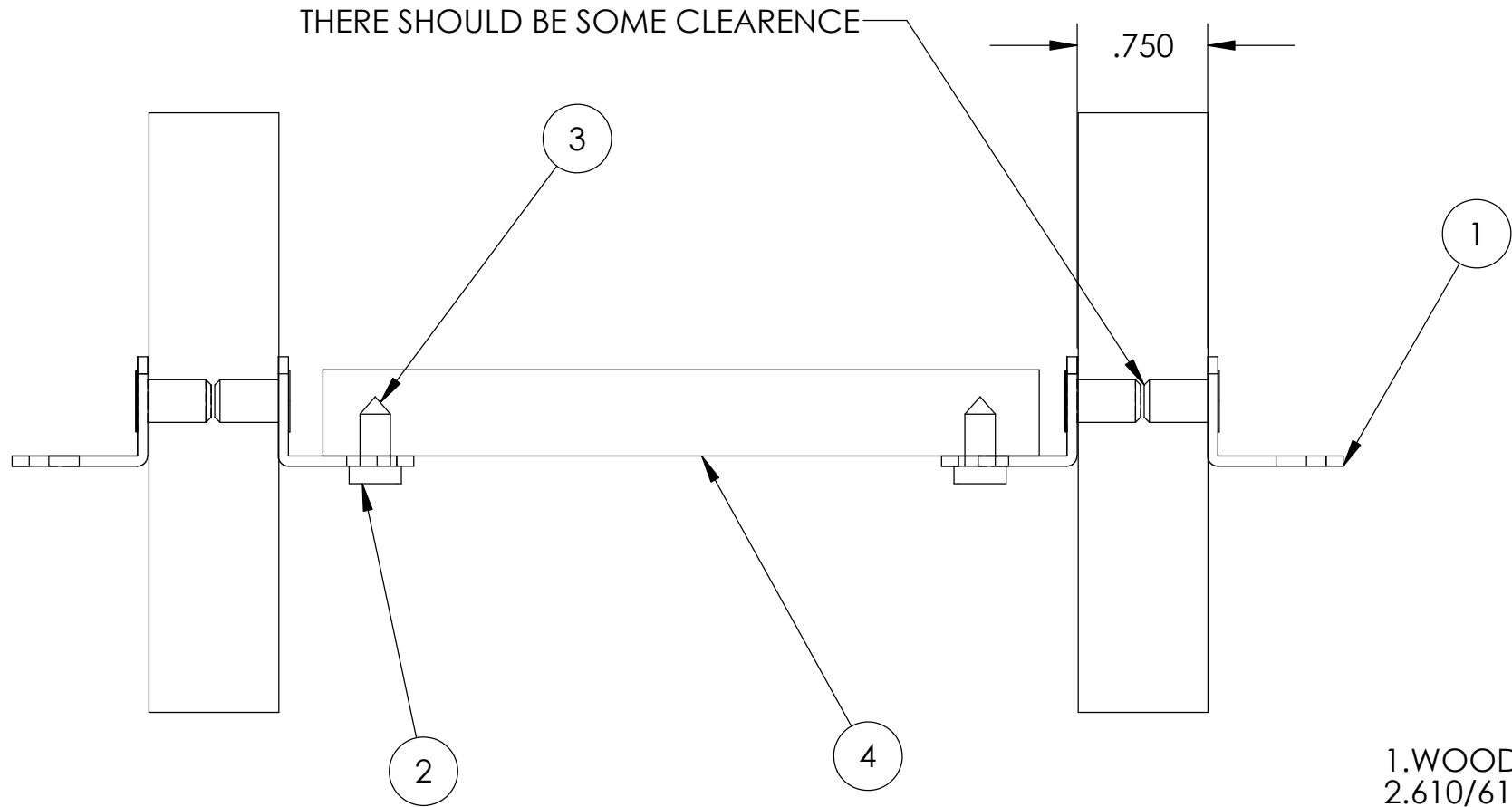
4

3

2

1

# APPLICATION



- 1.WOOD PLANK
- 2.610/611-H
- 3.SCREW
- 4.WOOD PLANK

Drawn by: Udhay.N	Scale: 1:1	Date: 12/15/04
----------------------	---------------	-------------------

HARDWARE RESOURCES

4319 MARLENA ST, BOSSIER CITY, LA71111

PART NAME: 3/4"x.245" WITH HOLE

MATERIAL: FLAT SURFACE CRS/ PIN HRS

ITEM NO: 610/611-H

PLATING: AB, PB, AC, BN, B

TOLERANCES  
UNLESS OTHERWISE SPECIFIED  
TOLERANCES ARE IN METRIC

OVER ALL LENGTH	±0.1MM
ANGLES	±0° 30'

\* - Critical Dimensions

Sheet 2/2